

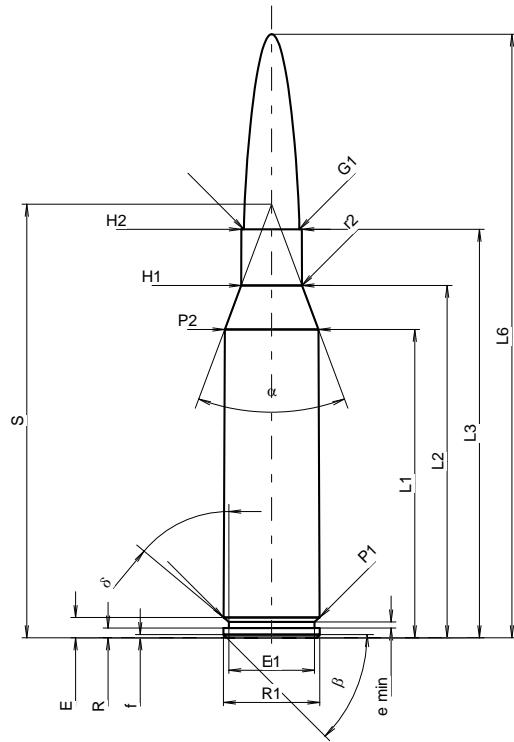
**C.I.P.****338 Norma Mag.**

TAB. I

Date 10-05-26

Country of Origin: SE

Revision

**CARTRIDGE MAXI****Lengths**

L1 <sup>1)</sup>	=	47.78	-0.20
L2 <sup>1)</sup>	=	54.60	-0.20
L3 <sup>1)</sup>	=	63.30	
L4	=		
L5	=		
L6	=	93.50	

**Case Head**

R	=	1.52	
R1	=	14.93	
R3	=		
E	=	3.15	
E1	=	13.24	
e min	=	0.95	
delta	=	50°	
f	=	0.50	
beta	=	45°	

**Powder Chamber**

P1	=	14.87	
P2 <sup>1)</sup> *	=	14.50	-0.20

**Junction Cone**

alpha *	=	41°	
S *	=	67.17	
r1 min	=		
r2	=	2.50	

**Collar**

H1 *	=	9.40	
H2 <sup>1)</sup>	=	9.38	

**Projectile**

G1 <sup>1)</sup>	=	8.60	
G2	=		
F	=		
L3+G <sup>1)</sup>	=	73.62	

**Pressures (Energies)****Method Transducer**

Pmax	=	4400 bar	
PK	=	5060 bar	
PE	=	5500 bar	
M	=	25.00	
EE	=	6170 Joule	

**Miscellaneous Dimensions**

Fe <sup>1)3)</sup>	=	0.10	
delta L	=		

**CHAMBER MINI****Lengths**

L1	=	47.59	
L2	=	54.58	
L3 <sup>1)</sup>	=	63.55	

**Breech**

R	=		
R1	=	15.03	
R2	=		
R3	=		
r	=		

**Powder Chamber**

E	=	3.10	
P1 <sup>1)</sup>	=	14.94	
P2 *	=	14.66	

**Junction Cone**

alpha <sup>1)</sup> *	=	41°	
S *	=	67.19	
r1 max	=		
r2	=	2.41	

**Collar**

H1 *	=	9.43	
H2 <sup>1)</sup>	=	9.41	

**Commencement of Rifling**

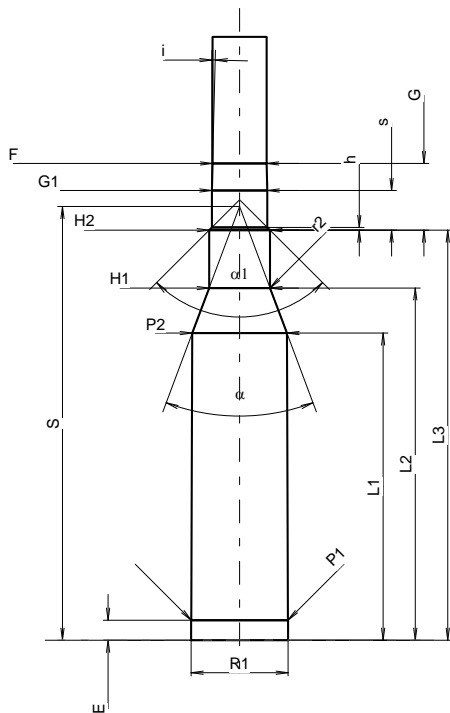
G1 <sup>1)</sup> *	=	8.60	
G <sup>1)</sup>	=	10.32	
alpha l	=	90°	
h	=	0.40	
s *	=	6.12	
i <sup>1)</sup> *	=	1°30'	
w	=		

**Barrel**

F <sup>1)</sup> *	=	8.38	
Z <sup>1)</sup>	=	8.58	

**Grooves**

b	=	2.79	
N	=	6	
u	=	235.00	
Q	=	56.86	mm <sup>2</sup>



Scale 1:1.17

Dimensions in << mm >>  
Dimensions and Tolerances for Proof Barrels  
see Appendix .

Notes: 1) Check for safety reasons  
3) Headspace on Shoulder  
\* Basic dimensions